

Industrial Keystone Jack, Bulkhead Couplers & Surface Mount Box, IP67



✓ IP67 & RoHS compliant

✓ Compatible for T568A and B wiring

✓ reduced crosstalk between each pairs

✓ user-friendly 110 IDC design

DN-IND-C6-C

Abstract

Industrial Keystone Jack, Bulkhead Couplers & Surface Mount Box, IP67, for dust- and waterproof applications

Product Number Information

Item code	Description
DN-IND-C6-KJ	CAT 6 STP industrial keystone jack, IP67, with dust cap
DN-IND-C6A-C	CAT 6 _A STP industrial bulkhead coupler, IP67, with dust cap
DN-IND-C6-C	CAT 6 STP industrial bulkhead coupler, IP67, with dust cap
DN-IND-KIT	Assembly kit for outdoor cable (OD 9 mm), IP67, waterproof, compatible with DN-IND-C line
DN-IND-BOX	Surface mount box, IP67, with punch-out M16/M32 cable entries

Technical Information | DN-IND-C6-KJ

Material

Main body & dust cap	PBT+GF, UL94V-0
Shielded case	Brass, nickel plated
Jack housing	PC, UL94V-0
Contact holder	PC, UL94V-0
Jack contacts	Phosphor bronze, 50 μ gold plated
IDC plastic	PC, UL94V-0
IDC terminals	Phosphor bronze, tin over nickel undercoat

Physical Characteristics

Suitable impact tool	110 style punch down tool
Insertion life	750 mating cycles with FCC compliant 8P plug
Contact force	100 g with FCC compliant 8P plug
Plug retention force	11 LBF min.
Durability	200 termination cycles
Contact compatibility	accommodates 22 to 24 AWG solid
Operating temp. range	-10 °C up to + 60 °C
Storage temp. range	-40 °C up to + 68 °C
Humidity	10%~90% RH

Electrical Characteristics

Insulation resistance	500 M Ω
Dielectric withstanding voltage	1000 V AC.
DC current rating	1.5 Amps.
DC resistance	0.1 Ω
Contact resistance	20m Ω

Note: Will not support channel shorter than 15 meter. Compatible only with RJ45 8P8C plug.

Technical Information | DN-IND-C6-C & DN-IND-C6A-C

Material

Main body	PBT+GF, UL94V-0
Shielded case	Brass, nickel plated
Coupler housing	ABS, UL94V-0
Jack contacts	Phosphor bronze, 50 μ gold plated

Physical Characteristics

Insertion life	750 mating cycles with FCC compliant 8P plug
Contact force	100 g with FCC compliant 8P plug
Plug retention force	11 LBF min.
Operating temp. range	-10 °C up to + 60 °C
Storage temp. range	-40 °C up to + 68 °C
Humidity	10%~90% RH

Electrical Characteristics

Insulation resistance	500 M Ω
Dielectric withstanding voltage	1000 V AC.
DC current rating	1.5 Amps.
DC resistance	0.1 Ω
Contact resistance	20m Ω

Technical Information | DN-IND-KIT

Material

Main body	Nylon PA-66 high-impact UL94V-0 thermoplastic, 30% glass fiber filled
Sealing nut	Nylon PA-66 high-impact UL94V-0 thermoplastic, 30% glass fiber filled
Black gasket	Rubber

Physical Characteristics

Operating temperature range	-10 °C up to +60 °C
Storage temp. range	-40 °C up to + 68 °C
Humidity	10%~90% RH

Technical Information | DN-IND-BOX

Material

Housing Polycarbonate Resin High-Impact UL94V-0 Thermoplastic

Physical Characteristics

Operating temperature range -10 °C up to +60 °C
Storage temp. range -40 °C up to + 68 °C
Humidity 10%~90% RH

Product Images

DN-IND-C6-KJ | Example of application



DN-IND-C6A-C & DN-IND-C6-C | Example of application

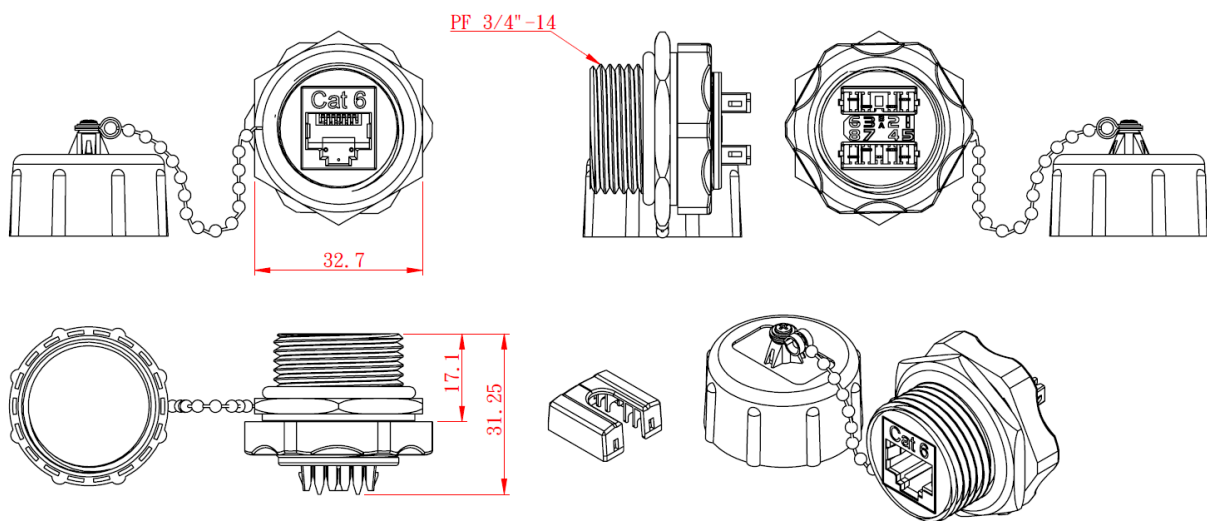


DN-IND-KIT | Example of application

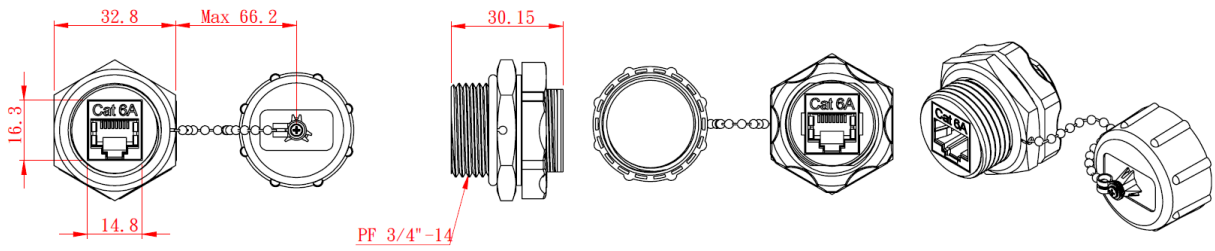


Technical Drawings

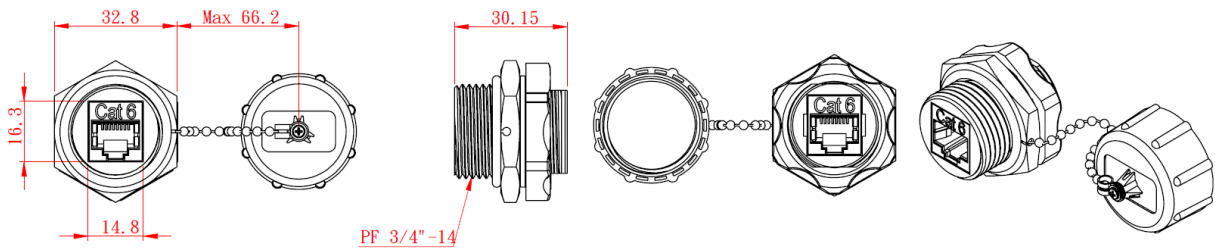
DN-IND-C6-KJ



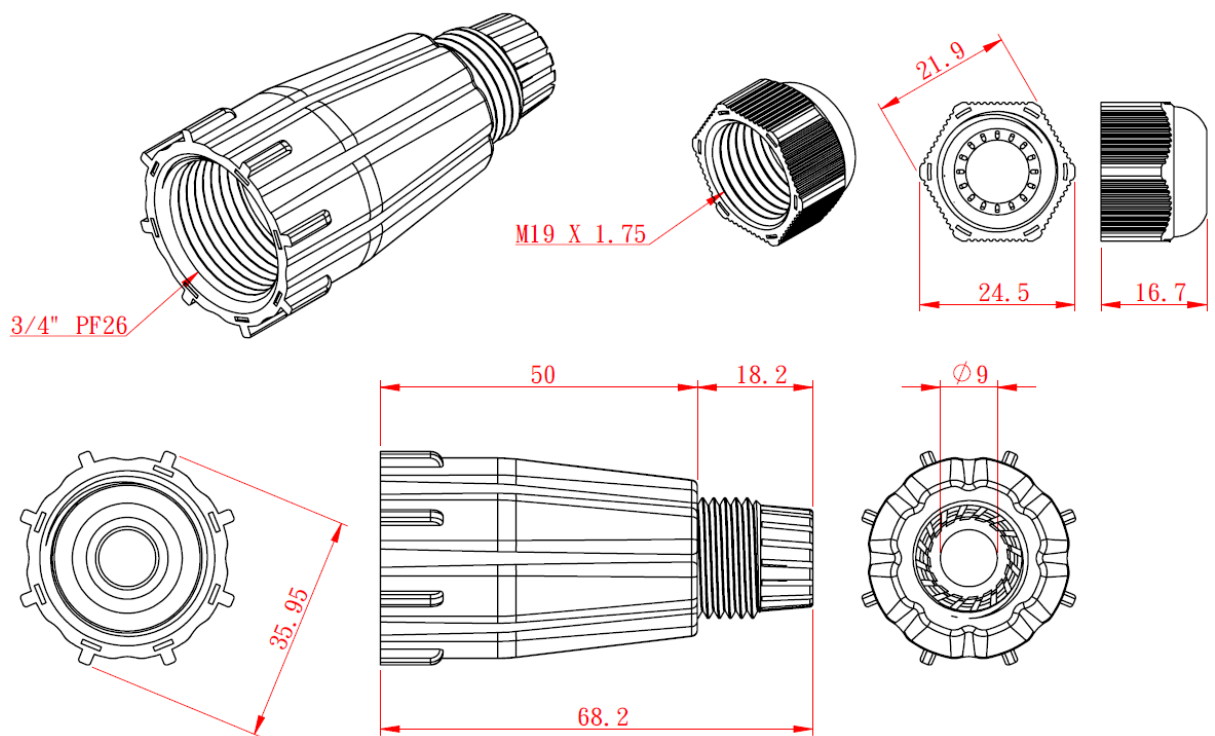
DN-IND-C6A-C



DN-IND-C6-C



DN-IND-KIT



DN-IND-BOX

